



IAB-SSBK
IAB-SSRK

**Works with any Alarm Panel
and it's wire free!**

IAB-SSB



Solar Wireless Siren & Strobe
Built-in Receiver

IAB-WST



Wireless Transmitter Module
connect to any Alarm Panel

Specifications:

- Xenon Strobe Current: 110mA
- Siren Current: 150mA
- Casing material 3mm UV proof Polycarbonate
- Power: Solar Panel
- Reception range: 300 feet in open space
- 318MHZ FCC Approved

IAB-SSBK Kit Includes:

- One (1) IAB-SSB Solar Wireless Siren & Strobe Panel with Built-in Receiver
- One (1) IAB-WST Wireless Transmitter Module to connect to any Alarm Panel
- One (1) Battery Back-up DC6V/1.2Ah Lead-Acid Rechargeable



Optional: IA-REPEATER
Signal Extender / Repeater

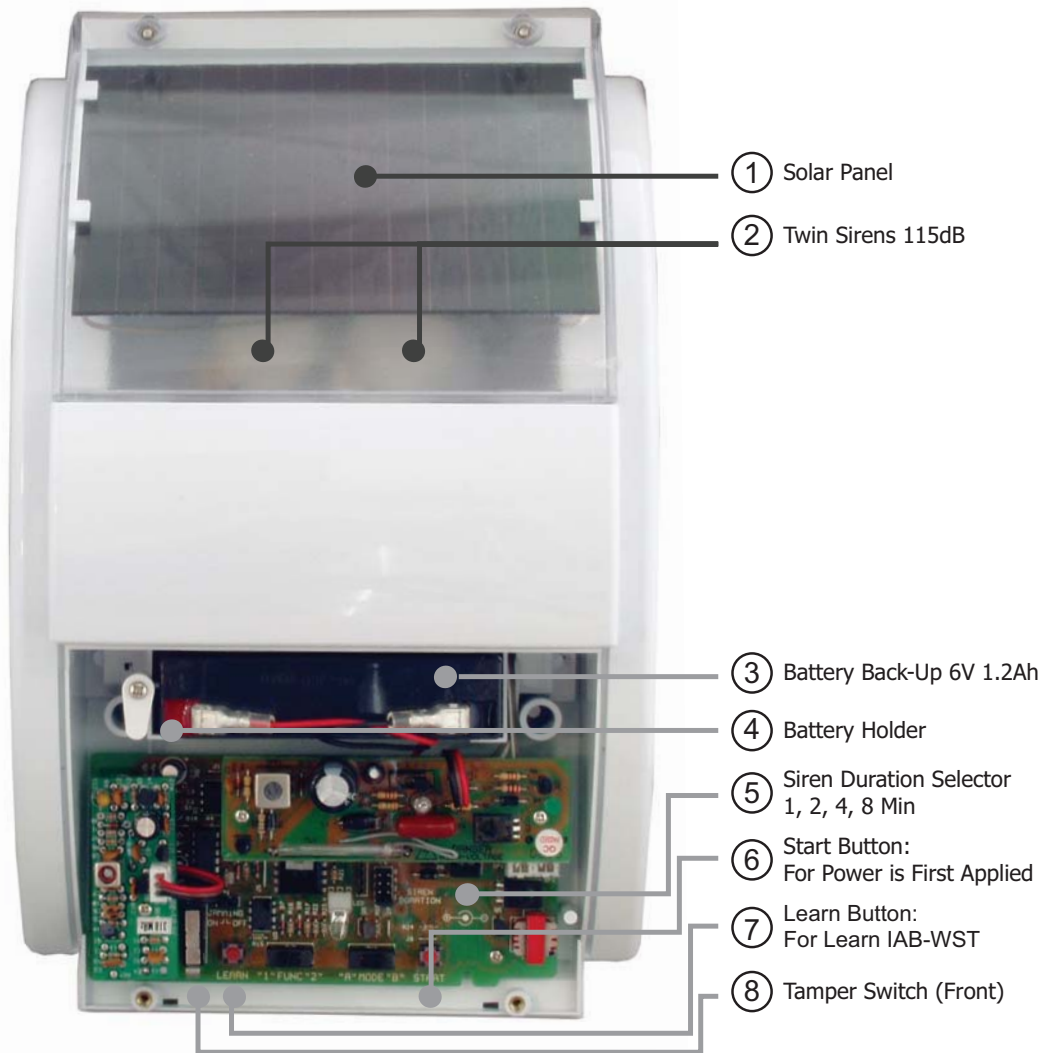


IAB-SSR
Red Strobe Light Cover

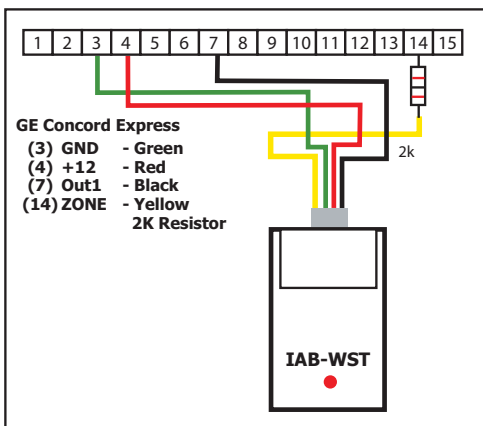
OEM Welcome

Solar Powered Wireless Siren & Strobe Kit

- Highly sensitive light activated solar panel; no power required
- Totally wire-free for a quick & easy installation
- Built-in battery back-up
- 115 dB twin siren
- Unique "Radio Code Learning" function
- Front & back Anti-tamper switch
- Selectable siren duration
- Selectable function-siren chips or silent LED strobe
- Test mode for replacing batteries & testing



IAB-WST Wiring Diagram to Alarm Panel
GE Concord Express



A highly sensitive integral solar panel ensures the battery is kept permanently charged even in very cloudy weather conditions. The standby current is incredibly small thus the built-in back up battery can maintain the IAB-SSS operation for up to 2 months.